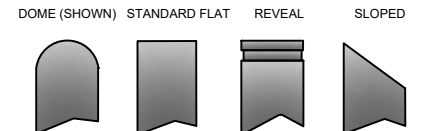
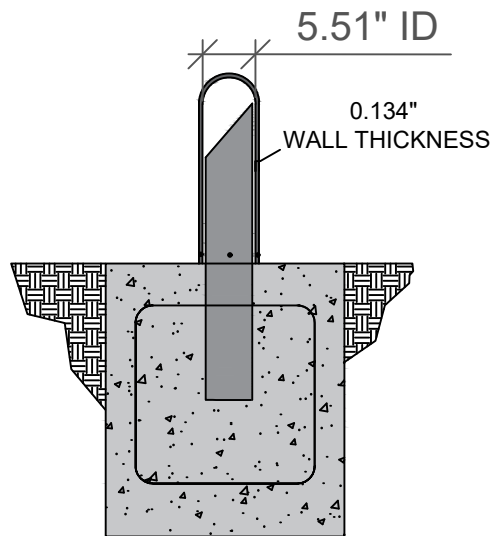
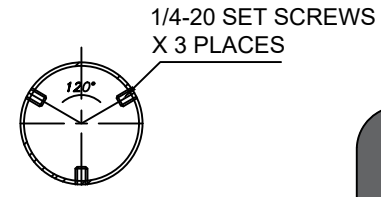
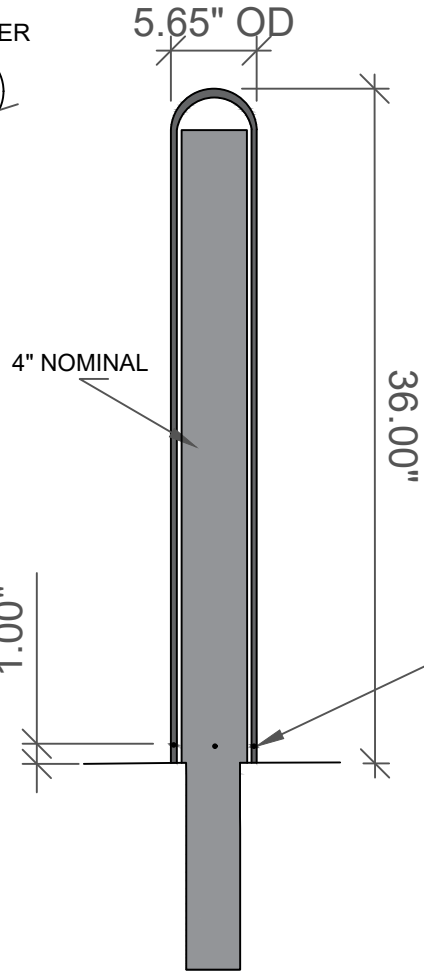
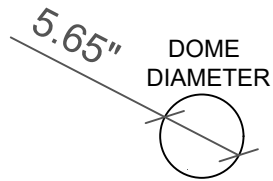


1-800-BOLLARDS

The Bollard Experts

- 5" BOLLARD COVER
(4" NOMINAL BOLLARD SIZE)
- CSS5010 SCHED 10 STAINLESS STEEL COVER
- STAINLESS STEEL BOLLARD COVER FINISH
- POLISHED #4
- SELECT DESIRED STAINLESS STEEL BOLLARD MATERIAL:
- TYPE 304
- TYPE 316
- SELECT DESIRED BOLLARD CAP STYLE:
- DOME (SHOWN)
- STANDARD FLAT
- REVEAL
- SLOPED
- COVER HEIGHT SELECTION FROM:
- BASE OF BOLLARD
- TOP OF BOLLARD _____ INCHES



REVISIONS			
LTR	DESCRIPTION	DATE	APPVD
COMMENTS			
SPECIFICATIONS			
HEIGHT: 36"			
DIAMETER: 5.65"			

NOTES:
 1. INSTALLATION TO BE COMPLETED IN ACCORDANCE WITH MANUFACTURER'S SPECIFICATIONS.
 2. DO NOT SCALE DRAWING.
 3. THIS DRAWING IS INTENDED FOR USE BY ARCHITECTS, ENGINEERS, CONTRACTORS, CONSULTANTS AND DESIGN PROFESSIONALS FOR PLANNING PURPOSES ONLY. THIS DRAWING MAY NOT BE USED FOR CONSTRUCTION.
 4. ALL INFORMATION CONTAINED HEREIN WAS CURRENT AT THE TIME OF DEVELOPMENT BUT MUST BE REVIEWED AND APPROVED BY THE PRODUCT MANUFACTURER TO BE CONSIDERED ACCURATE.
 5. CONTRACTOR'S NOTE FOR PRODUCT AND COMPANY INFORMATION VISIT www.CADsystems.com AND ENTER REFERENCE NUMBER 5041627.

APPLICATION		PRODUCT SUB LINE	COVER	TITLE
NEXT ASSY	USED ON	1-800-BOLLARDS, Inc.		BOLLARD, COVER
		10 Hughes Suite A105		
		Irvine, CA 92618		
		PHONE: 1-800-BOLLARDS		
		WEB: www.1800BOLLARDS.COM		
		EMAIL: info@1800BOLLARDS.COM		
		SERIES NUMBER: YX-S060-XX	CAGE CODE: 6NGJB	ISSUE: 6th Cutsheet Size A - R1
		PRODUCT FAMILY: FIXED BOLLARD	DRAWN BY: AJA	DRAWING REV: 1
		PRODUCT CLASS: STANDARD OR CUSTOMER DEFINED	CHECKED BY:	SHEET: 1 OF 1
		PRODUCT LINE: BOLLARD	APPROVED BY:	RELEASE DATE: